



ARP-5500AX Series

Wash Down Area Touch Panel Computers
Class 1 Div 2 Hazardous Zone



ARP-5500AX Series



ARP-5500AX Series industrial LCD display computers are completely sealed, water-resistant, and absolutely rugged. Regardless of dust, water, wash downs or disinfectants, ARP-5500AX Series works well in food processing, cold storage, pharmaceuticals, or any harsh environment. ARP-5500AX Series operates at 24VDC input, it packs Core 2 Duo CPU and up to 4GB memory into compact, slim and fully sealed stainless steel enclosure. The water-proof connectors provides accessible to dual Gigabit Ethernet ports, one USB port and one 22-pin universal I/O port. ARP-5500AX Series is available in 3 different sizes of LCD display, 15", 17" and 19". Furthermore, the integrated, resistive touch screen is easy and safe to operate – even while wearing protective gloves. The WIFI option extends connectivity at the location where wire networking is not available.

Class 1 Div2 hazardous zone

ARP-5500AX Series is non-purged fully sealed for hazardous area applications. It is Class 1 Division 2 certified for use in environments where the existence of flammable gases or vapors and/or combustible dust may be presence in the air during an abnormal occurrence such as a leak. These non-purged, non-incendive hazardous area systems are built with corrosion resistant stainless steel and are designed to prevent an ignition causing spark under potentially abnormal working conditions.

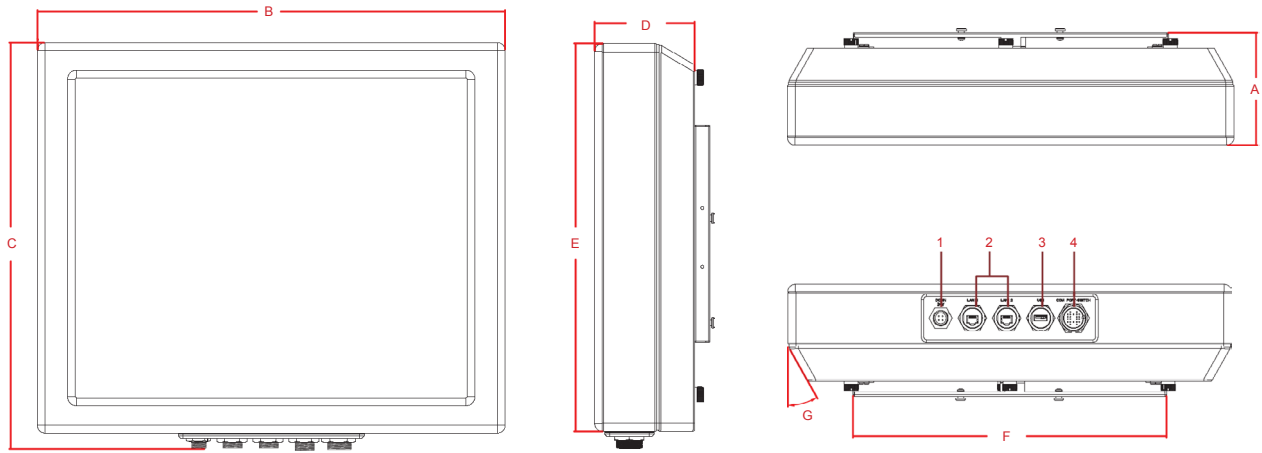


ARP-5500AX Series has multiple mounting options, Benchtop, Wall Mount, Pedestal Mount, Ceiling Mount are available mounting schemes. Desktop mounting is angle adjustable.

Specifications	ARP-5515AX-D00	ARP-5517AX-D00	ARP-5519AX-D00	ARP-5521AX-D00
LCD Display				
Display Size (Diagnol)	15 inch	17 inch	19 inch	21.5 inch
Resolution	1024 x 768	1280 x 1024	1280 x 1024	1920 x 1080
Backlight Lifetime (Hours)	50,000	50,000	50,000	50,000
Visual Characteristics				
Colors	16.7 millions	16.7 millions	16.7 millions	16.7 millions
Aspect ratio	4:3	5:4	5:4	16:9
Viewing angle (V/H)	140° / 160°	140° / 160°	160° / 170°	178° / 178°
Response time (Typical)	8 ms	30 ms	5 ms	14 ms
Pixel Pitch (mm)	0.264 x 0.264	0.264 x 0.264	0.294 x 0.294	0.248 x 0.248
Contrast ratio	700 : 1	800 : 1	1000 : 1	1000 : 1
Brightness	300 nits	350 nits	450 nits	250 nits
Touch Screen				
Technology	5 Wire Resistive	5 Wire Resistive	5 Wire Resistive	5 Wire Resistive
Touch rating	35 million touches	35 million touches	35 million touches	35 million touches
MTBF	490,000 hours	490,000 hours	490,000 hours	490,000 hours
Interface	RS-232 / USB	RS-232 / USB	RS-232 / USB	RS-232 / USB
Driver	WinXP Pro, Win XPe, Win 7	WinXP Pro, Win XPe, Win 7	WinXP Pro, Win XPe, Win 7	WinXP Pro, Win XPe, Win 7
System				
CPU	Core 2 Duo Mobile	Core 2 Duo Mobile	Core 2 Duo Mobile	Intel Core 2 Duo Mobile
Chipset	GME965 + ICH8M	GME965 + ICH8M	GME965 + ICH8M	Intel GME965 + ICH8M
Memory	Up to 4GB DDR2	Up to 4GB DDR2	Up to 4GB DDR2	Up to 4GB DDR2
Video Controller	GME965 GMA X3100	GME965 GMA X3100	GME965 GMA X3100	Intel GME965 GMA X3100
Storage Option	1 x 2.5" SATA HDD	1 x 2.5" SATA HDD	1 x 2.5" SATA HDD	1 x 2.5" SATA HDD
Compact Flash	N/A	N/A	N/A	N/A
Keyboard / Mouse	2 x PS/2 Connectors (Optional)	2 x PS/2 Connectors (Optional)	2 x PS/2 Connectors (Optional)	2 x PS/2 Connectors (Optional)
Audio	N/A	N/A	N/A	N/A
Watchdog Timer	Programmable 1 - 255 sec	Programmable 1 - 255 sec	Programmable 1 - 255 sec	Programmable 1 - 255 sec
Remote Boot	ACP	ACP	ACP	ACP
Expansion Slot	N/A	N/A	N/A	N/A
I/O Communication				
USB Port	1 x USB 2.0	1 x USB 2.0	1 x USB 2.0	1 x USB 2.0
Serial Port	2 x RS-232 (Optional)	2 x RS-232 (Optional)	2 x RS-232 (Optional)	2 x RS-232 (Optional)
LAN	2 x Gigabit	2 x Gigabit	2 x Gigabit	2 x Gigabit
Parallel	N/A	N/A	N/A	N/A
OS Support				
OS Support	WinXP Pro, Win XPe, Win 7	WinXP Pro, Win XPe, Win 7	WinXP Pro, Win XPe, Win 7	WinXP Pro, Win XPe, Win 7
Power / Thermal Specs				
Power Requirement (Max)	110VAC/1.0A, 24VDC/4.8A	110VAC/1.2A, 24VDC/5.4A	110VAC/1.3A, 24VDC/5.6A	110VAC/1.3A, 24VDC/5.6A
Power Consumption (Max)	115 W	130 W	135 W	135 W
Heat Dissipation	392 BTU/hr	447 BTU/hr	461 BTU/hr	461 BTU/hr
Physical Information				
Mounting	Pedestal, VESA, Wall and Ceiling mount, Benchtop	Pedestal, VESA, Wall and Ceiling mount, Benchtop	Pedestal, VESA, Wall and Ceiling mount, Benchtop	Pedestal, VESA, Wall and Ceiling mount, Benchtop
Net Weight	46 Lbs / 21.00 kg	48 lbs / 22.00 kg	51 lbs/ 23.00 kg	
Physical Dimension	14.51 x 12.42 x 4.09 inch 368.6 x 315.5 x 103.9 mm	15.88 x 14.07 x 4.36 inch 403.4 x 357.4 x 110.7 mm	17.80 x 15.19 x 4.40 inch 452.1 x 385.8 x 111.8 mm	
Cutout Dimension (WxH)	N/A	N/A	N/A	N/A
Physical Information				
Operating Temp	0~50°C (32~122°F)	0~50°C (32~122°F)	0~50°C (32~122°F)	0~50°C (32~122°F)
Storage Temp	-20~60°C (-4~140°F)	-20~60°C (-4~140°F)	-20~60°C (-4~140°F)	-20~60°C (-4~140°F)
Relative Humidity	5~95% (non-condensing)	5~95% (non-condensing)	5~95% (non-condensing)	5~95% (non-condensing)
IP/NEMA Rating	meets NEMA 4X	meets NEMA 4X	meets NEMA 4X	meets NEMA 4X
Certification	UL Class 1 Division 2	UL Class 1 Division 2	UL Class 1 Division 2	

Ordering Information			
	ARP-55XXAX-D00-007-DR	ARP-55XXAX-D00-015-DR	ARP-55XXAX-D00-035-DR
LCD Display	Standard	Standard	Standard
Touch Screen	5-Wire	5-Wire	5-Wire
Enclosure	Stainless Steel	Stainless Steel	Stainless Steel
CPU	Intel Core 2 Duo Mobile	Intel Core 2 Duo Mobile	Intel Core 2 Duo Mobile
Memory	2GB DDR2	4GB DDR2	4GB DDR2
Storage	N/A	2.5" SATA HDD	2.5" SSD
ACP Enabled	ACP	N/A	N/A
Power Supply	110/220VAC Input	110/220VAC Input	110/220VAC Input

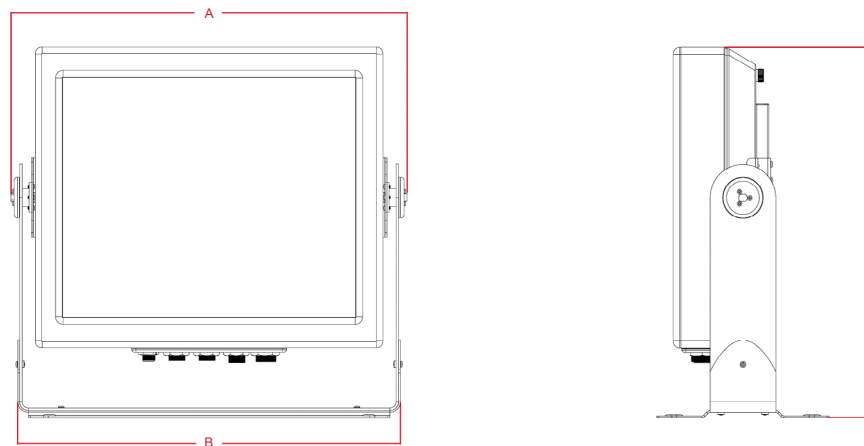
ARP-5500AX Series Line Drawing



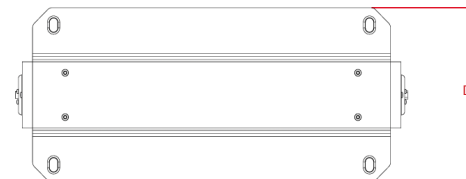
	ARP-5515 AX	ARP-5517 AX	ARP-5519 AX
A	4.09 inch / 103.9 mm	4.36 inch / 110.7 mm	4.4 inch / 111.8 mm
B	14.51 inch / 368.6 mm	15.88 inch / 403.4 mm	17.8 inch / 452.1 mm
C	12.42 inch / 315.5 mm	14.07 inch / 357.4 mm	15.19 inch / 385.8 mm
D	3.5 inch / 88.9 mm	3.77 inch / 95.8 mm	3.81 inch / 96.8 mm
E	11.8 inch / 299.7 mm	13.46 inch / 341.9 mm	14.60 inch / 370.8 mm
F	12.575 inch / 319.4 mm	12.575 inch / 319.4 mm	12.575 inch / 319.4 mm
G	30°	30°	30°

- 1 = Power
- 2 = Ethernet Ports
- 3 = USB
- 4 = 22 Pin Universal Port

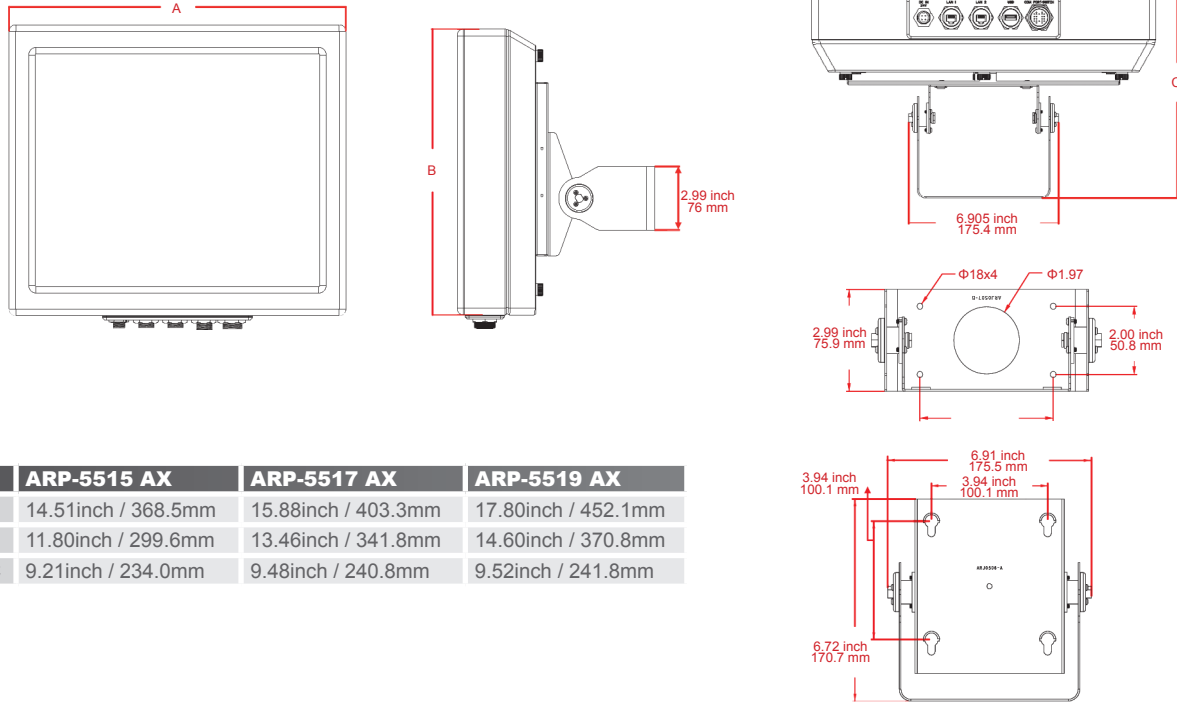
Benchtop Stand Assembly



	ARP-5515 AX	ARP-5517 AX	ARP-5519 AX
A	16.79 inch / 426.4 mm	18.09 inch / 459.4 mm	19.86 inch / 504.4 mm
B	16.17 inch / 410.8 mm	17.47 inch / 443.8 mm	19.24 inch / 488.8 mm
C	14.95 inch / 379.7 mm	16.57 inch / 420.9 mm	17.71 inch / 449.8 mm
D	7.87 inch / 200.0 mm	7.87 inch / 200.0 mm	7.87 inch / 200.0 mm

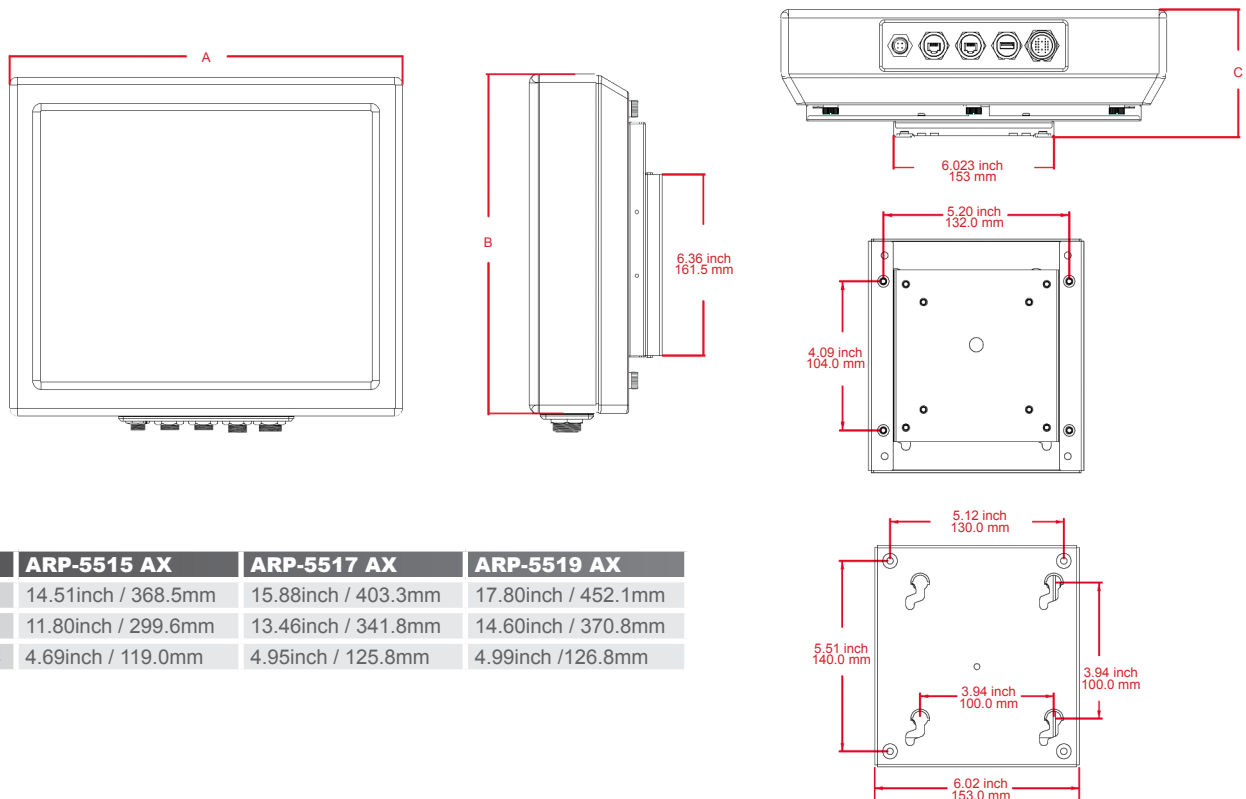


Pedestal Mount Bracket Assembly



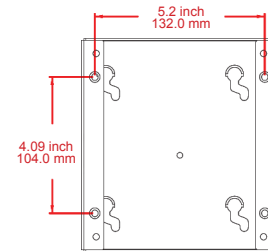
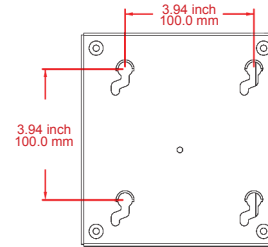
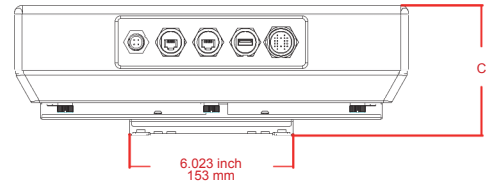
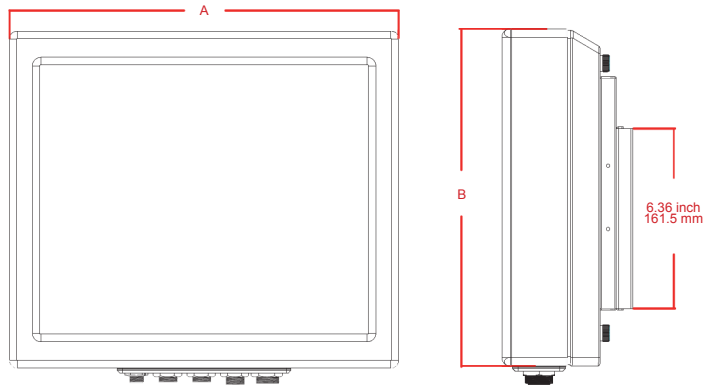
	ARP-5515 AX	ARP-5517 AX	ARP-5519 AX
A	14.51inch / 368.5mm	15.88inch / 403.3mm	17.80inch / 452.1mm
B	11.80inch / 299.6mm	13.46inch / 341.8mm	14.60inch / 370.8mm
C	9.21inch / 234.0mm	9.48inch / 240.8mm	9.52inch / 241.8mm

VESA Mount Bracket Assembly



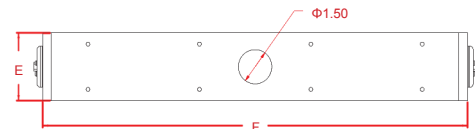
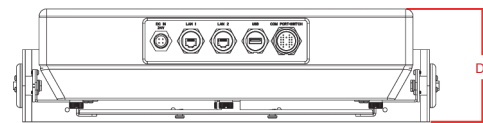
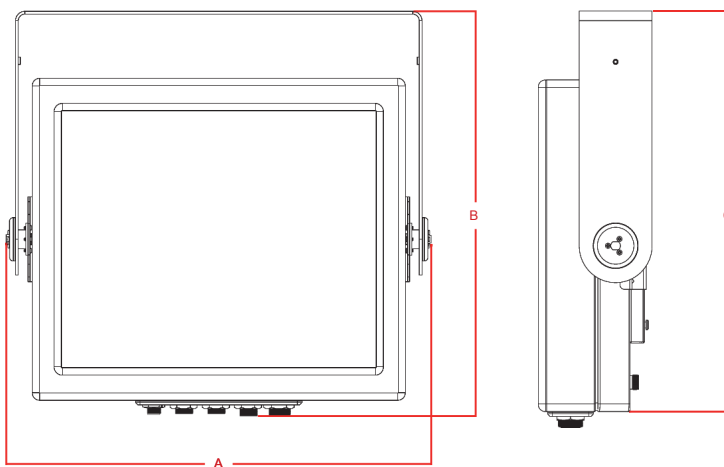
	ARP-5515 AX	ARP-5517 AX	ARP-5519 AX
A	14.51inch / 368.5mm	15.88inch / 403.3mm	17.80inch / 452.1mm
B	11.80inch / 299.6mm	13.46inch / 341.8mm	14.60inch / 370.8mm
C	4.69inch / 119.0mm	4.95inch / 125.8mm	4.99inch / 126.8mm

Wall Mount Bracket Assembly



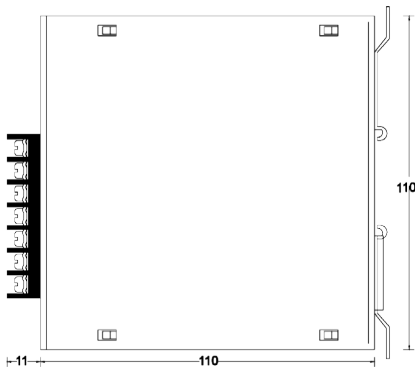
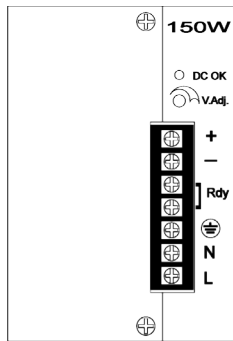
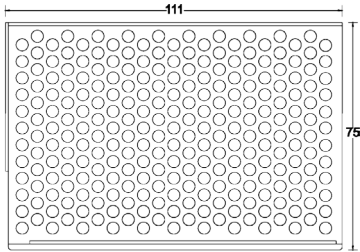
	ARP-5515 AX	ARP-5517 AX	ARP-5519 AX
A	14.51inch / 368.5mm	15.88inch / 403.3mm	17.80inch / 452.1mm
B	11.80inch / 299.6mm	13.46inch / 341.8mm	14.60inch / 370.8mm
C	4.69inch / 119.0mm	4.95inch / 125.8mm	4.99inch / 126.8mm

Ceiling Mount Assembly



	ARP-5515 AX	ARP-5517 AX	ARP-5519 AX
A	16.79 inch / 426.4 mm	18.09 inch / 459.4 mm	19.86 inch / 504.4 mm
B	15.30 inch / 388.6 mm	16.92 inch / 429.7 mm	18.05 inch / 458.5 mm
C	14.64 inch / 371.8 mm	16.26 inch / 412.9 mm	17.39 inch / 441.8 mm
E	4.41 inch / 112.0 mm	4.68 inch / 118.8 mm	4.72 inch / 119.8 mm
F	2.99 inch / 76.0 mm	2.99 inch / 76.0 mm	2.99 inch / 76.0 mm
G	16.00 inch / 406.4 mm	17.30 inch / 439.4 mm	19.07 inch / 484.4 mm

APS-DR1150F-24



150W Din Rail Power Supply

INPUT	
Input voltage	100~240VAC/120~370VDC
Input frequency	47~63Hz
Inrush current	22A/115VAC
(Cold start)	44A/230VAC
OUTPUT	
Output Power	150W
Output Voltage	24VDC
Hold-up time (Full load@230VAC)	20ms Min.
Temp. Coefficient	± 0.04%/C
Overvoltage protection	Autorecovery
Overload protection	Power limited
Short circuit protection	Autorecovery
O/P voltage Adjustment	+24 VDC ± 10%
Loading (A) (Min. Rated Max)	0A 6.3A 6.3A
Ripple Noise	150mVp-p
Line Reg.	± 1%
Load Reg.	± 2%
Efficiency	82%
Over voltage Protection	27~30VDC
Transient response. (Load change 50% to 100%)	
Voltage deviation	5%
Recovery time	2mS
EMC STANDARDS	
EN 55011	Class B
EN 55022	Class B
EN 61000-4-2	Level 3
EN 61000-4-3	Level 3
EN 61000-4-4	Level 3
EN 61000-4-5	Level 3
EN 61000-4-6	Level 3
EN 61000-4-8	Level 3
EN 61000-4-11	Level 3
ENVIRONMENTAL	
Operating temperature	-20°C ~ 50°C ambient, derating each output at 2.5% per degree from 50°C to 70°C
Operating humidity	Non-condensing, 5% ~ 95%RH
Vibration	Random vibration, 10Hz ~ 100Hz, 3axis
MTBF	60,000hrs Min. Per MIL-HDBK-217F, 25°C GB.
Certification	CE, UL, CSA

Model : CA260A (24 VDC Input power cord)

